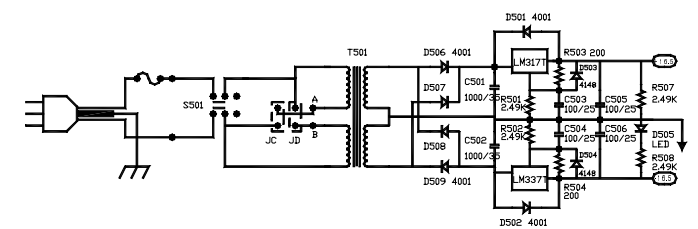
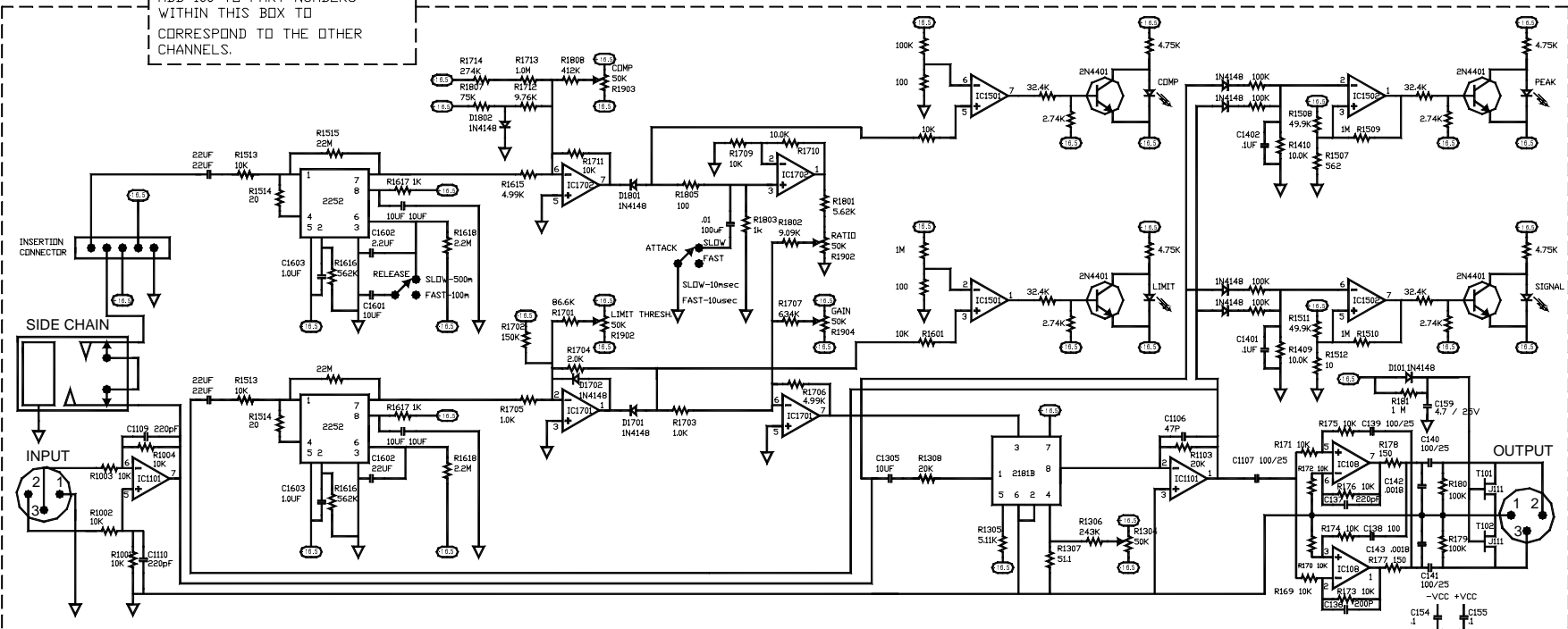



ADD 100 TO PART NUMBERS
WITHIN THIS BOX TO
CORRESPOND TO THE OTHER
CHANNELS.



NOTES:

PART # 1000.0000.00
PCN2
09/05/95 REV. 0 TIM MILLER

FILE: COMPSCH



12800 NW BISHOP RD
HILLSBORO OR. 97124
(503) 647-5957
INC.