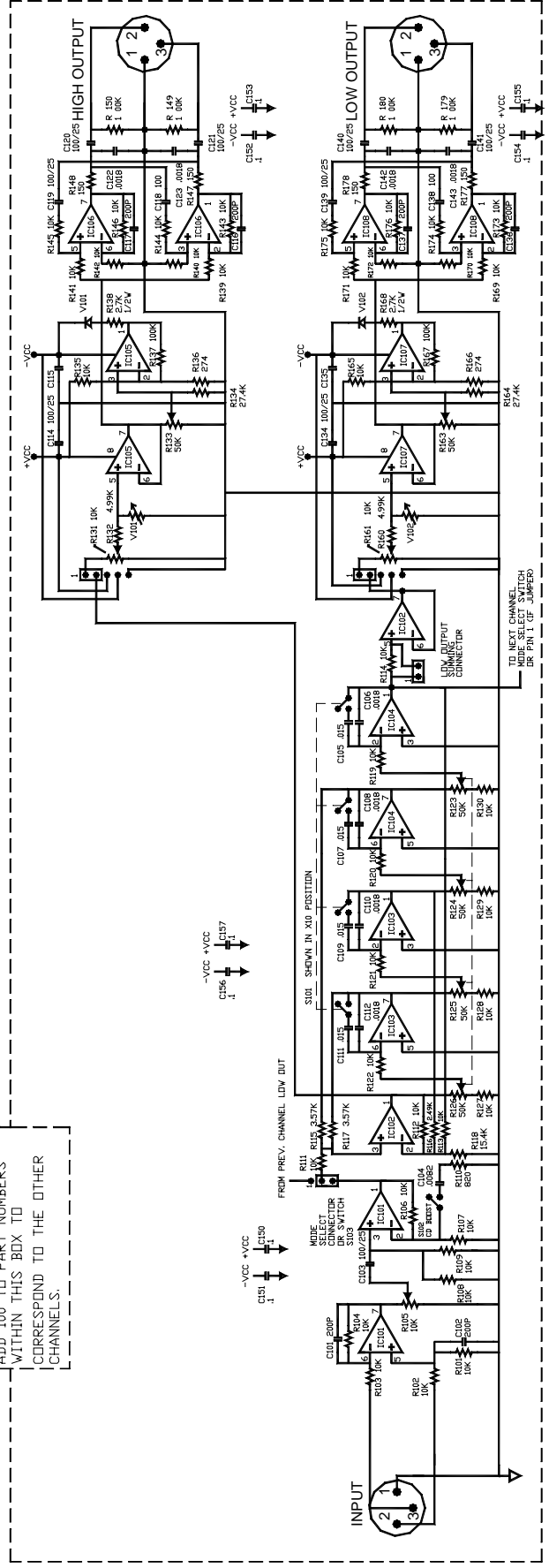


ADD 100 TO PART NUMBERS
WITHIN THIS BOX TO
CORRESPOND TO THE OTHER
CHANNELS.



NOTES:

PART # 1000.0000.00
24CX-2 & 24CX-4 SCH.
04/05/93 REV. 0 TIM MILLER

FILE: NCX2SCH



12800 NW BISHOP RD
HILLSBORO DR. 97124
(503) 647-5957
INC.

